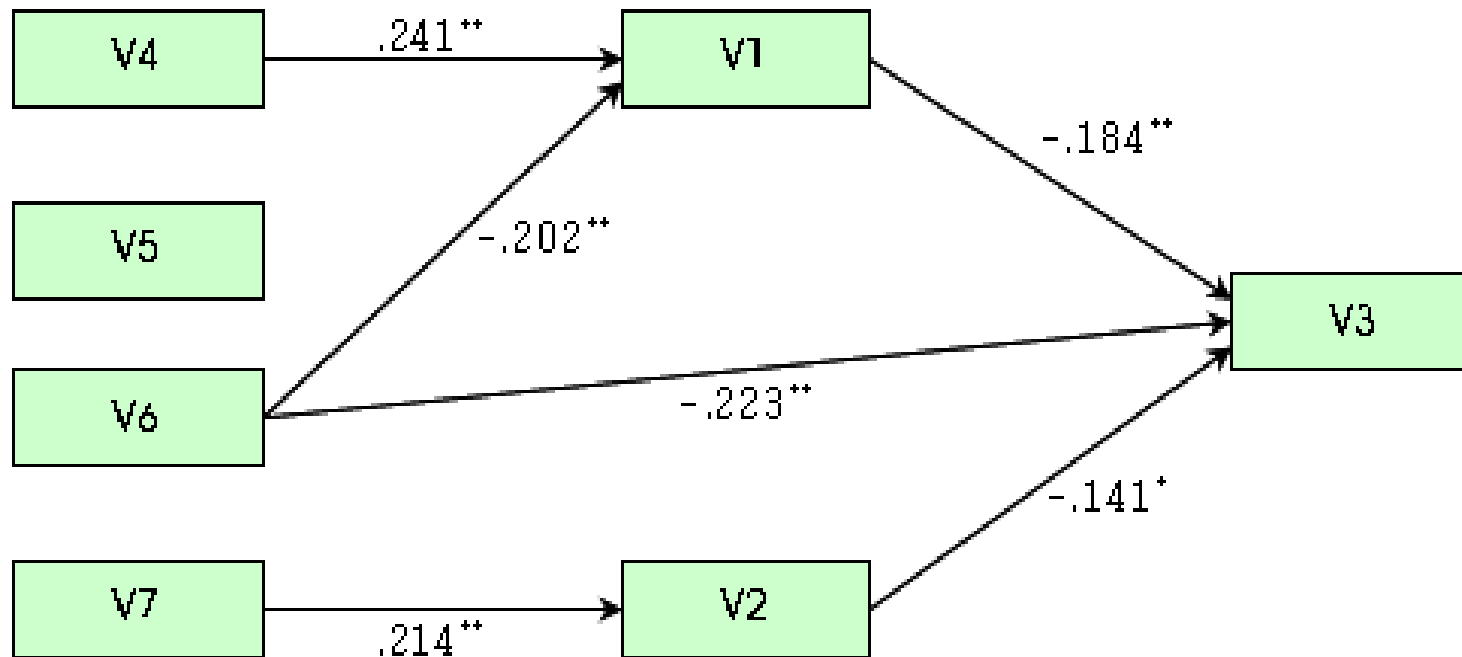


Direct and Indirect Influences

	Fear of HIV and other sexually transmitted infections (STIs)			Life satisfaction			Intention to leave CSI		
	Direct	Indirect	Total	Direct	Indirect	Total	Direct	Indirect	Total
Fear of HIV and other sexually transmitted infections (STIs)	-	-	-	-	-	-	-.184**	-.007	-.191**
Life satisfaction	-	-	-	-	-	-	-.141*	-	-.141*
Years in brothel	.241**	-	.241**	-	-	-	-	-	-
Years of prostitution	-	-	-	-	-	-	-	-	-
Number of STD infections	-.202**	-	-.202**	-	-	-	-.223**	.042*	-.181*
Condom usage	-	-	-	.214**	.005	.219**	.066	-.049*	.017

N-CSWs Vs. R-CSWs

Variables	Total(N=987)				N-CSWs(N=687)				R-CSWs (N=298)			
	M ₁		M ₂		M ₁		M ₂		M ₁		M ₂	
	B	β	B	β	B	β	B	β	B	β	B	β
Self-perceived risk of acquiring HIV or other STIs	- .134***	- .170***	- .140***	- .177***	- .139***	- .174***	- .148***	- .183***	- .119***	- .157***	-.109*	-.144*
Life satisfaction	- .354***	- .230***	- .352***	- .228***	- .405***	- .257***	- .392***	- .249***	-.242**	-.166**	- .277**	- .190**
Age			-.024**	-.098**			-.022*	-.089*			-.028	-.109
Education level			.063	.041			-.008	-.005			.227**	.155**
Marriage dummy			-.257*	-.069*			-.326*	-.085*			-.059	-.017
Constants	3.037***		3.717***		3.132***		4.062***		2.816***		2.831***	
R ²	.094		.108		.110		.126		.061		.092	
adjusted R ²	.092		.104		.108		.119		.054		.076	



Path-model of Intention to leave CSI

V1 : Fear of HIV and other sexually transmitted infections (STIs) V2 : Life satisfaction

V3: Intention to leave CSI V4 : Years in brothel V5 : Years of prostitution V6 : Number of STD infections V7 : Condom usage

Note: 1. Provide coefficients are standardized coefficients. Statistical significance verifies unstandardized coefficients.

2. Model does not considers correlation among independent variables

* p<.05, ** p<.01,